

# MOVIA™ L

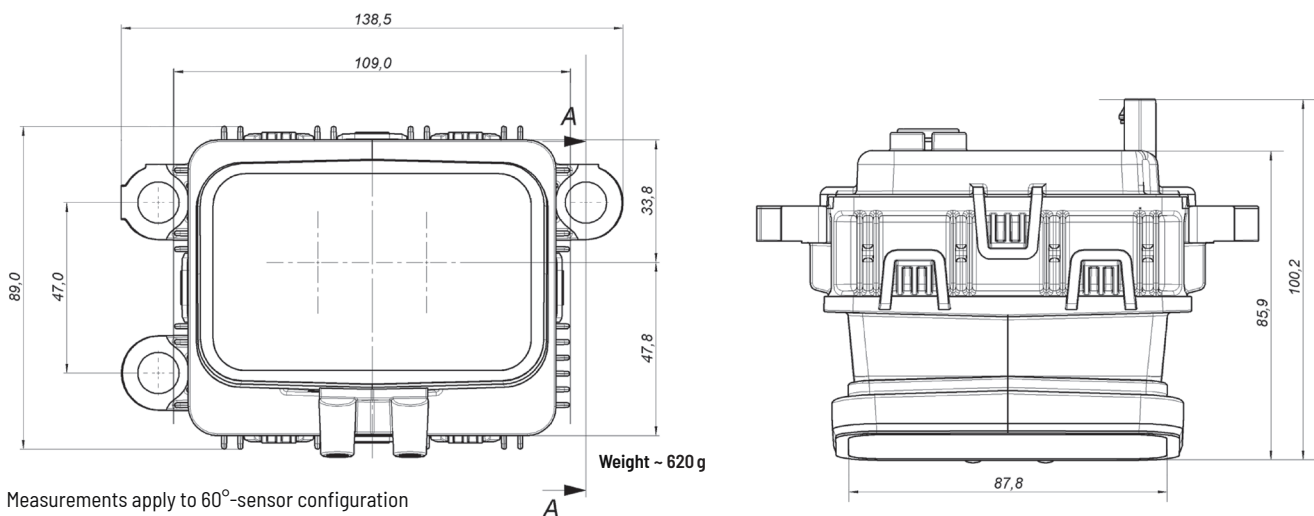
Small, light, robust and suitable for short- and mid-range automotive applications



## Key Features

- ▶ Developed to automotive-grade standards
- ▶ Solid-state solution
- ▶ Robust and reliable: no moving parts
- ▶ Transceiver resolution of 128 columns x 80 rows
- ▶ Sequential flash scanning captures environment hundreds of times, row by row
- ▶ Adverse weather performance due to multi-echo capability

## Technical Drawing

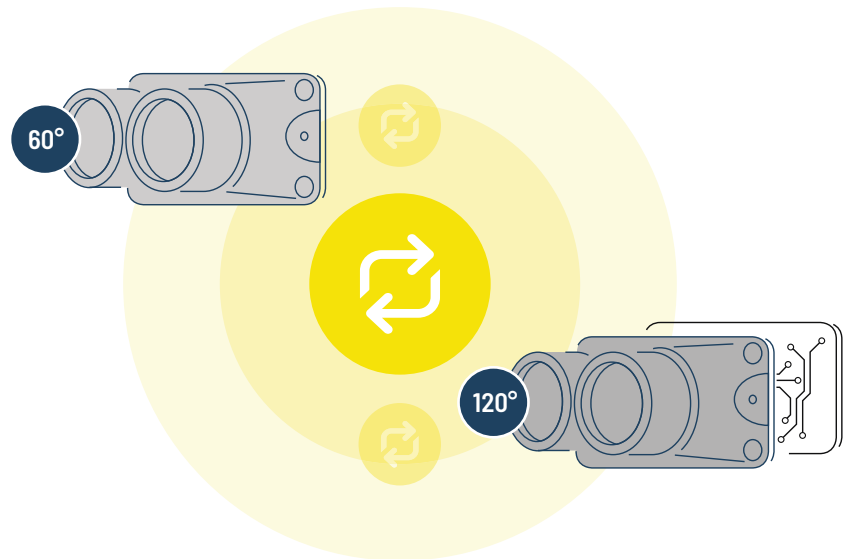


Safe mobility at the speed of life®



## Modular Optics Concept

MOVIA™ L features a modular optics concept, allowing for quick and resource-saving adaptation of sensors during production to fit every use case. The same core components are usable with modular optics to allow variable fields of view. Depending on the application, 60 degree or 120 degree optics are available.



## Technical Data

Technology / Laser / Optical	MOVIA™ L 60°	MOVIA™ L 120°
Max. field of view (h x v)	60° x 37.5°	120° x 75°
Max. angular resolution (h x v)	0.23° x 0.38°	0.47° x 0.75°
Design range	85 m	45 m

## Technology & Innovation



No moving parts



4D Output:  
Point cloud & intensity image



Variable scan frequency



High resolution



Protected from environmental influences



Class 1 laser product



Low power consumption



Modular optics concept